

# IREPSS series Infrared Edge Photoelectric Safety Switch



- Infrared technology
- 12/24V AC/DC supply voltage
- NO and NC contacts
- Patented
- Up-and-Over system
- EN 12453 and EN 954-1
- CE and RoHS compliant

## Product Description

The IREPSS1 (Infrared edge photoelectric safety switch) is made up of a Transmitter and a Receiver which are housed in a plastic enclosure. The maximum range is 10m and the degree of protection is

IP54. It is a device designed and patented in order to guarantee the safety of different kinds of applications such as shutters, sectional doors, etc... The special feature of this device is that it

prevents physical contact between the edge of the moving closing system and any obstacle, thus avoiding accidents. In fact, by installing this device (on the automation edge), the moving

part becomes protected by an infrared beam approximately 13cm from the edge. The special feature up-and-over system allows control in all conditions, also when vibrations are present.

## Approvals



## Ordering Key

**IREPSS 1**

Model \_\_\_\_\_  
Type \_\_\_\_\_

## Type

1 max. range 10m

## General Data

Supply voltage	12/24 VAC/DC (depending on jumper insertion)
Consumption	60mA to 24VAC (tx+rx)
Output	NO and NC
Contact rating	1A @ 24VAC (Resistive load)
maximum range	10m / 32.81ft
Approvals	CE
Conformity	EN 12453 and EN 954-1 RoHS

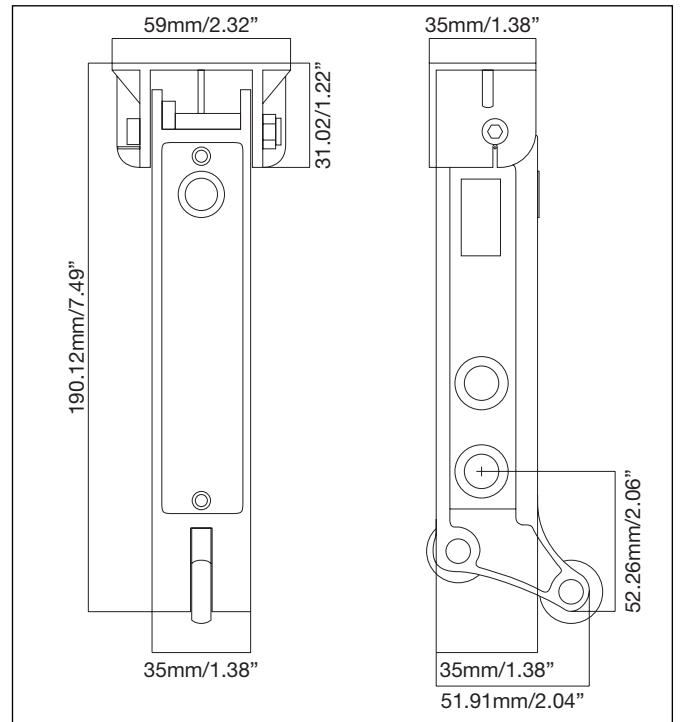
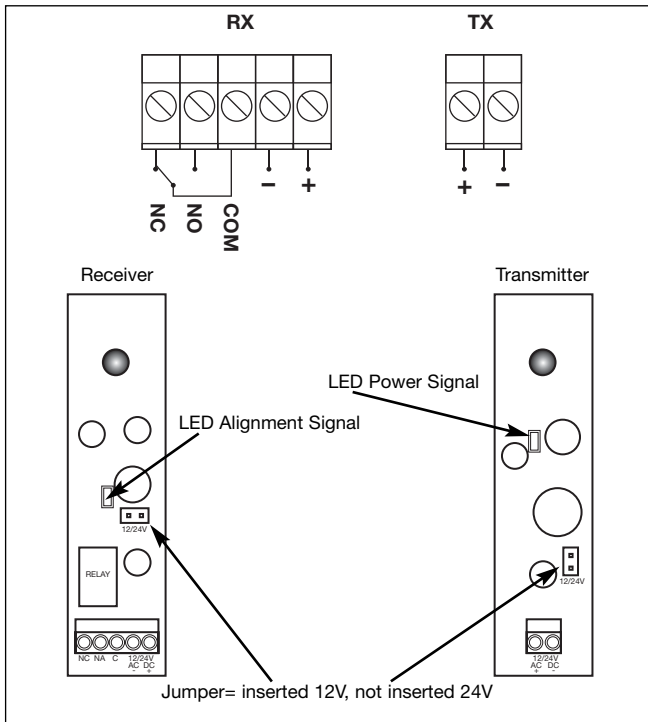
## Mechanical Data

Led transmitter	Power signal
Led receiver	Signal for alignment with transmitter
Mounting	Wall and ceiling mounting
Size W x L x D	mm inches
	190.0 x 34.6 x 32.0 7.48" x 1.36" x 1.26"
Weight	310g / 10.93oz

## Environmental Data

IR data rate	1.33kHz
Wavelength	950nm
Operating temperature	-20°C...+60°C / -4...140°F
Protection degree	IP 54

## Wiring Diagram and set-up instruction Dimensions mm (inches)



## Mounting and assembling instructions

